



Instalok

512 West Gorgas • PO Box 3912 • Louisville, Ohio 44641
1-800-860-8823 • Fax: 330-875-7155
www.h-pproducts.com

IMPORTANT INSTALLATION INSTRUCTIONS

PREPARING FOR INSTALLATION

- Verify tube and Instalok sizes correspond with each other (Figure 1)
- Clean and dry tube OD to ensure it is free of dirt and grease which can cause slippage
- Make sure tube ends are cut square and burr-free to avoid material blockages

ASSEMBLING TUBE & COUPLING

- Twist Instalok onto tube end (Figure 2) until tube is centered in coupling (Figure 3)
*NOTE: Twist Instalok or tubing to facilitate installation
- Tighten clamp
- Twist the connecting tube into the Instalok until both ends butt together (Figure 3)
- Tighten remaining clamp

TIGHTENING THE COUPLING

- Tighten the bolts to 50 foot-pounds of torque MAXIMUM (Figure 4)
- Do not over-tighten

Figure 1

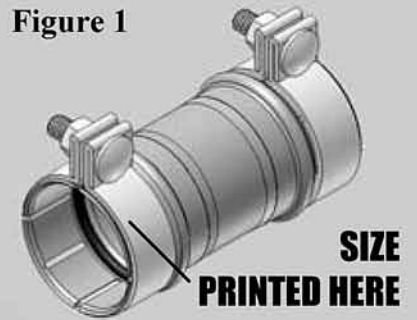


Figure 2

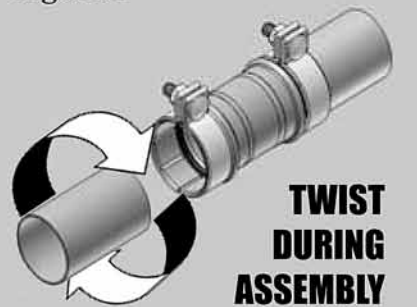


Figure 3

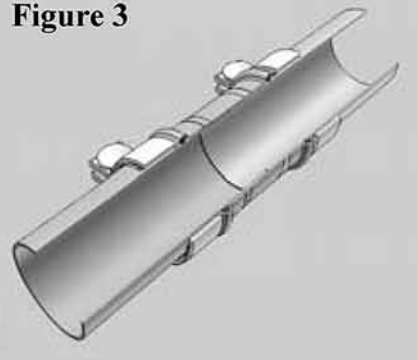


Figure 4

