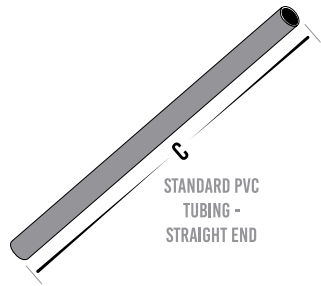


STANDARD PVC TUBING

©2024 H-P Products

PVC TUBING

Our PVC product line offers you a choice of standard catalog items in 4-5/8" OD. And these PVC parts are "ID friendly" with our corresponding metal line of tubular components featured in this catalog. With "Thousands of solutions under one roof", H-P Products, Inc. gives you maximum flexibility in designing a system with metal and PVC applications!



OUR PVC TUBING & FITTINGS ARE:

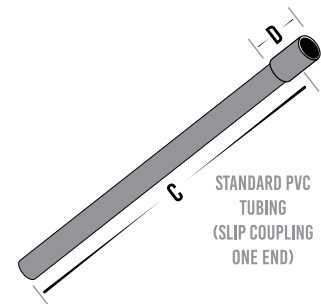
- "ID Friendly" with metal tube
- Economical to install
- Lightweight
- Wrinkle-free bends with a uniform ID throughout
- Non-corrosive
- Easy to assemble into offsets
- 110mm PVC Tubing & Bends now available

MATERIAL SPECIFICATIONS

- 1120 Type 1, Grade1, Gray Rigid PVC
- 4-5/8" OD Parts are 4.385" ID

STANDARD TUBING (STRAIGHT ENDS)

OD	C (LENGTH)	WALL THICKNESS	PART #
4-5/8"	10'	.120"	P45010



STANDARD TUBING (SLIP COUPLING ONE END*)

OD	C (LENGTH)	D	WALL THICKNESS	PART #
4-5/8"	10'	5"	.120"	P45010-C

* Slip coupling extends 2-1/2" beyond tube length (C).



H-P Products

512 West Gorgas St. • P.O. Box 3912
Louisville, Ohio 44641-312

1.800.860.TUBE (8823)

Fax: 330.875.7155

www.H-PPRODUCTS.com

S-120-0062
©2024 H-P Products